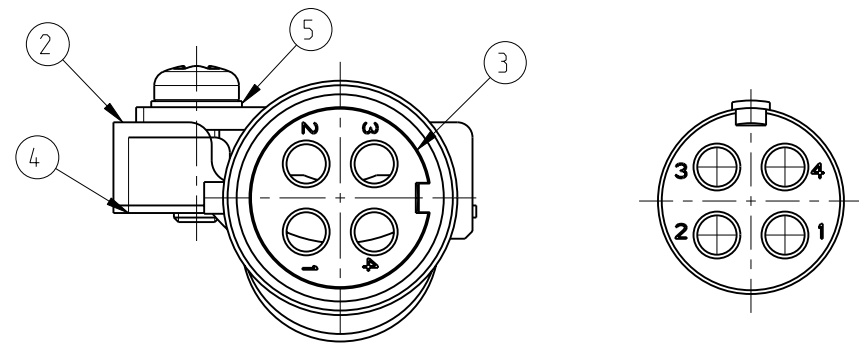


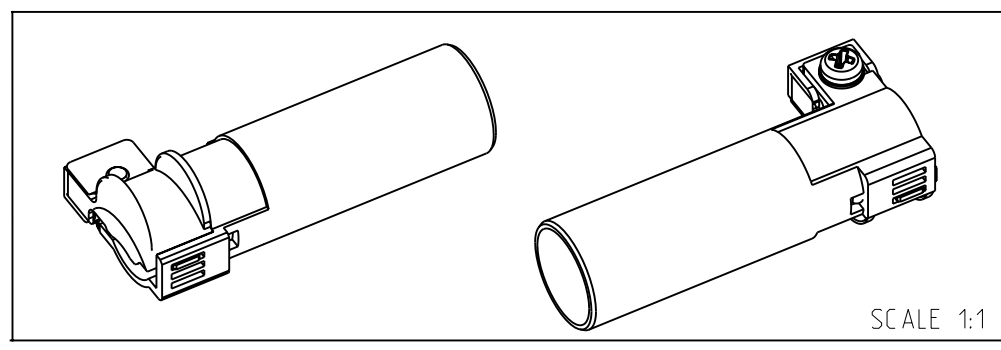
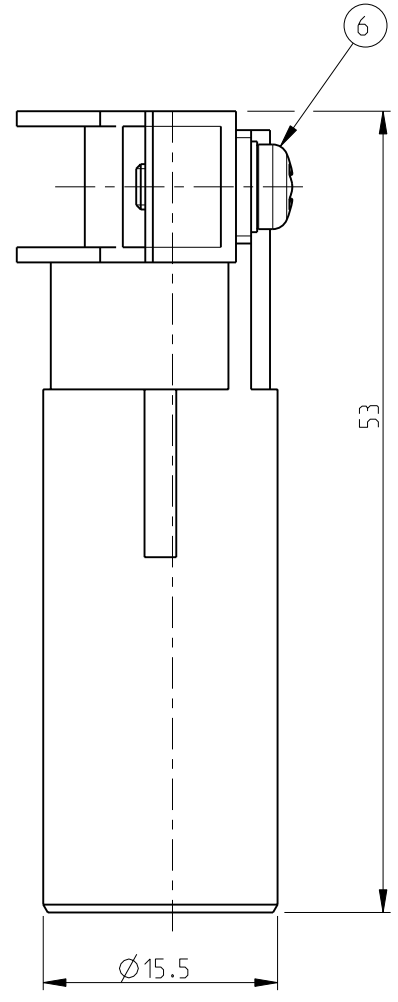
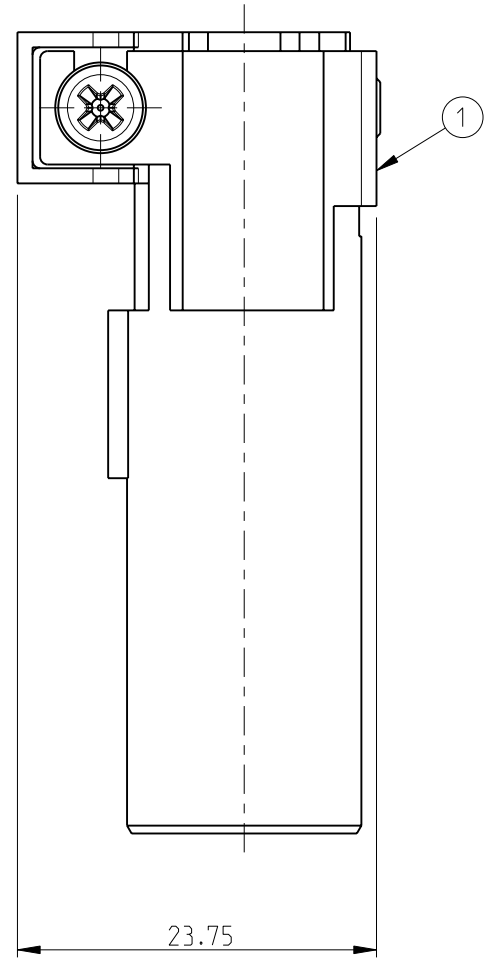
THIS DRAWING IS UNPUBLISHED. RELEASED FOR PUBLICATION 2000
 © COPYRIGHT 2000 BY TYCO ELECTRONICS CORPORATION. ALL RIGHTS RESERVED.

LOC	DIST	REVISIONS			
P	LTR	DESCRIPTION	DATE	DWN	APVD
A1		A3	RELEASED ASPER ECR-09-012227	29-May-09	GG TS

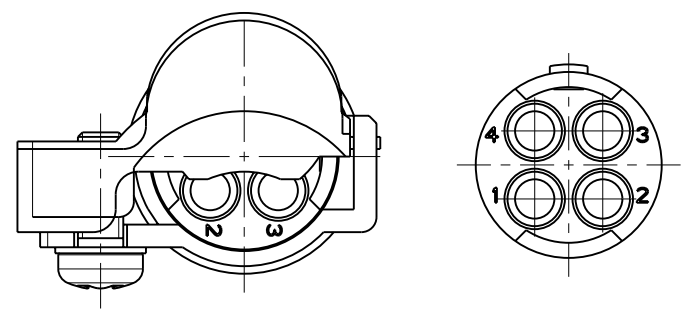
CONTACT ARRANGEMENT:
VIEW FROM CONNECTING SIDE



- NOTES
- SUITABLE CRIMP CONTACTS: SERIES HN.D
CUSTOMER DRAWING: 1105050
OUTER DIMENSIONS OF INSULATION: MAX. Ø4mm
 - SUITABLE MODULE FIXING FRAME: SERIES HVS SIZE 3 TO 8
CUSTOMER DRAWING: 1103250
 - SUITABLE INSERTION TOOL:
CUSTOMER DRAWING: 1102855
 - SUITABLE EXTRACTION TOOL:
CUSTOMER DRAWING: 1102855
 - STANDARDS:
DIN EN 61984; DIN EN 60664-1
 - PACKAGING:
10 SETS IN A CARTON, PRE-MOUNTED



CONTACT ARRANGEMENT:
VIEW FROM TERMINATION SIDE



PN 0-1 AS SHOWN

PN 0-1	DESCRIPTION	MATERIAL	SURFACE	COLOR	NOTE	ITEM NO
1	SCREW PAN HEAD	STEEL			ISO 7045 A2	6
1	SPRING WASHER, A3	STEEL	ZINC PLATED		DIN 137	5
1	CLOSING 3-6mm	ZINC				4
1	CONTACT INSERT MALE	PA66-GF25		BLACK		3
1	CLOSING 6-9mm	ZINC				2
1	SHIELD BARREL MALE	ZINC				1

THIS DRAWING IS A CONTROLLED DOCUMENT FOR TYCO ELECTRONICS CORPORATION IT IS SUBJECT TO CHANGE AND THE CONTROLLING ENGINEERING ORGANIZATION SHOULD BE CONTACTED FOR THE LATEST REVISION.		DWN 21.02.2006 SCHNEIDER		Tyco Electronics AMP GmbH 53757 Sankt Augustin, Germany	
DIMENSIONS: mm		TOLERANCES UNLESS OTHERWISE SPECIFIED: ISO 8075 DIN ISO 2768 mH-E DIN 16901-120		CHK 21.02.2006 A.GAST	
		0 PLC ± 1 PLC ± 2 PLC ± 3 PLC ± 4 PLC ± ANGLES ±		APVD 21.02.2006 T.SCHNURPFEL	
MATERIAL 		FINISH 		PRODUCT SPEC 108-74086	
				NAME SHIELD BARREL MALE HVS-TX.HN.D.4.ST1	
				APPLICATION SPEC 114-74088	
				WEIGHT A3 00779 C= 1103283	
CUSTOMER DRAWING				RESTRICTED TO	
				SCALE 5:1 SHEET 1 OF 1 REV A3	